

# BARN PLAN

Start a conversation based on this plan

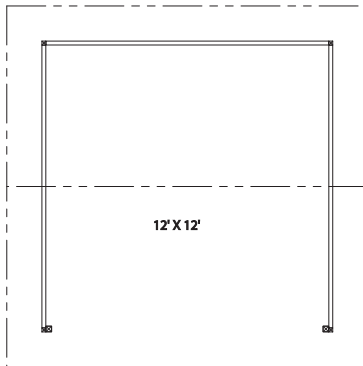
FCP-51A  
FCP-51B  
FCP-51C



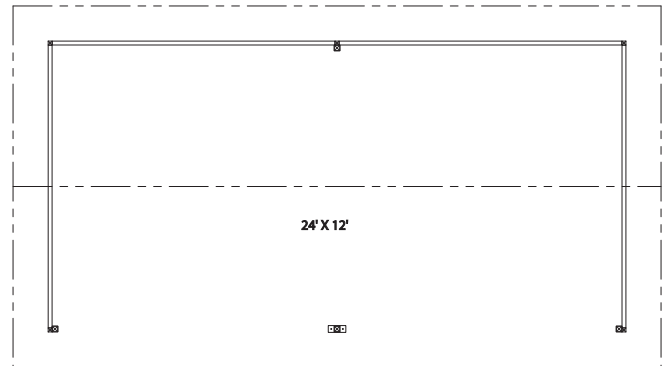
**BARN & BUILDINGS**

*Creative Steel Solutions*

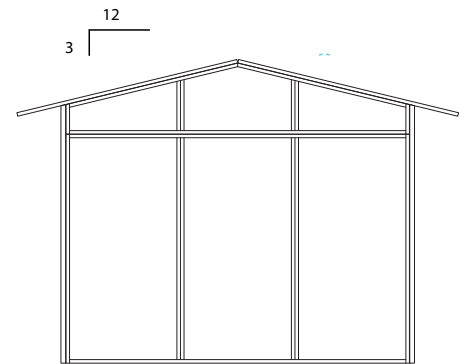
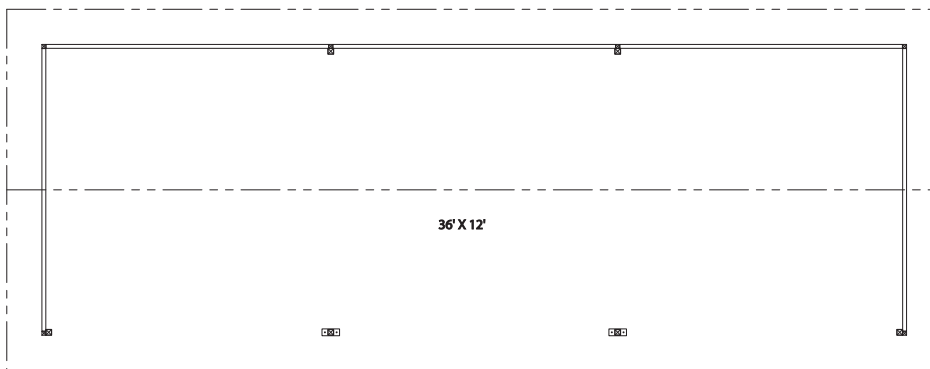
## FCP-51A 12' x 12' GABLE PEAK LOAFING SHED



## FCP-51B 24' x 12' GABLE PEAK LOAFING SHED



## FCP-51C 36' x 12' GABLE PEAK LOAFING SHED



Gable Peak Side View Elevation

## DETAILS

- 3/12 to 6/12 Metal Roof Pitch
- 9' Eave Height and 18" Soffits
- Gable Peak Roof Line
- Painted Steel Sided Walls (Other Options Available))
- Kick/Chew Proof and Fire Resistant

Standard Materials & Colors - See <https://fcpbarns.com/barn-design-options/color-options/>

Consult your FCP Sales Rep for custom options including converting a stall unit into a tack, storage room, wash or open bay, window and door options, cupolas, porch overhangs, colors, and material options including wood tongue and groove. *Visit [FCPbarns.com](https://fcpbarns.com) to learn more.*

**America's "Best-Built"**  
**Barns & Buildings**

*Let's make something great together!*

©FCP Inc. - All Rights Reserved

**800-807-BARN (2276)**  
**FCPbarns.com**